

# VOLVO PENTA INDUSTRIAL DIESEL

# TAD734GE

250kW (340 hp) at 1500 rpm, 263 kW (358 hp) at 1800 rpm

The TAD734GE is a powerful, reliable and economical Generating Set Diesel Engine built on the dependable in-line six design.

## Durability & low noise

Designed for easiest, fastest and most economical installation. Well-balanced to produce smooth and vibration-free operation with low noise level.

To maintain a controlled working temperature in cylinders and combustion chambers, the engine is equipped with piston cooling. The engine is also fitted with replaceable cylinder liners and valve seats/guides to ensure maximum durability and service life of the engine.

## Low exhaust emission

The state of the art, high-tech injection and charging system with low internal losses contributes to excellent combustion and low fuel consumption.

The TAD734GE complies with EU Stage 2 exhaust emission regulations.

## Easy service & maintenance

Easily accessible service and maintenance points contribute to the ease of service of the engine.

## Technical description

### Engine and block

- Optimized cast iron cylinder block with optimum distribution of forces
- Piston cooling for low piston temperature and reduced ring temperature
- Drop forged steel connecting rods
- Crankshaft hardened bearing surfaces and fillets for moderate load on main and big-end bearings
- Keystone top compression rings for long service life
- Replaceable valve guides and valve seats
- Three PTO positions at flywheel end
- Lift eyelets
- Flywheel housing with connection acc. to SAE 2
- Flywheel for flexplate
- Fixed integrated radiator front engine suspension
- Transport brackets, rear

### Lubrication system

- Full flow cartridge insert filter
- Rotary displacement oil pump driven by the crankshaft
- Deep front oil sump
- Oil filler on top
- Oil dipstick, short in front
- Integrated full flow oil cooler, side-mounted



## Features

- Electronic governing, EMS2
- CAN bus communication
- Compact design for the power class
- High power to weight ratio
- Emission compliant
- Noise optimized engine design
- Dual speed

### Fuel system

- Common rail
- Gear driven fuel feed pump
- Six hole fuel injection nozzles
- Electronic governor
- Fuel prefilter with water separator
- Fine fuel filter of cartridge insert type

### Intake and exhaust system

- Connection flange for exhaust line
- Waste gate turbo charger, centre low with exhaust flange
- Two-stage air filter, with cyclon
- Heater flange in charge air inlet (with relay)

### Cooling system

- Belt driven, maintenance-free coolant pump with high degree of efficiency
- Efficient cooling with accurate coolant control through a water distribution duct in the cylinder block
- Reliable thermostat with minimum pressure drop

- Pusher fan

### Electrical system

- Engine Management System 2 (EMS 2), an electronically controlled processing system which optimizes engine performance. It also includes advanced facilities for diagnostics and fault tracing
- The instruments and controls connect to the engine via the CAN SAE J1939 interface, either through the Control Interface Unit (CIU) or the Display Control Unit (DCU). The CIU converts the digital CAN bus signal to an analog signal, making it possible to connect a variety of instruments. The DCU is a control panel with display, engine control, monitoring, alarm, parameter setting and diagnostic functions. The DCU also presents error codes in clear text.
- Sensors for oil pressure, boost pressure, boost temp, exhaust temp, coolant temp, water in fuel, fuel pressure and two speed sensors.

**VOLVO  
PENTA**

# TAD734GE

## Technical Data

### General

|   |              |  |
|---|--------------|--|
| Engine designation .....                        | TAD734GE     |  |
| No. of cylinders and configuration .....        | in-line 6    |  |
| Method of operation .....                       | 4-stroke     |  |
| Bore, mm (in.) .....                            | 108 (4.25)   |  |
| Stroke, mm (in.) .....                          | 130 (5.12)   |  |
| Displacement, l (in <sup>3</sup> ) .....        | 7.15 (436.0) |  |
| Compression ratio .....                         | 17:1         |  |
| Dry weight, excl. cooling system, kg (lb) ..... | 764 (1684)   |  |
| Wet weight, excl. cooling system, kg (lb) ..... | 788 (1737)   |  |

|                       |                 |                 |
|-----------------------|-----------------|-----------------|
| <b>Performance</b>    | <b>1500 rpm</b> | <b>1800 rpm</b> |
| with fan, kW (hp) at: |                 |                 |
| Prime Power           | 216 (293)       | 220 (299)       |
| Max Standby Power     | 241 (327)       | 247 (336)       |

|   |                 |                 |
|---|-----------------|-----------------|
| <b>Lubrication system</b>                     | <b>1500 rpm</b> | <b>1800 rpm</b> |
| Oil consumption, liter/h (US gal/h) at:       |                 |                 |
| Prime Power                                   | 0.01 (0.003)    | 0.01 (0.003)    |
| Max Standby Power                             | 0.01 (0.003)    | 0.01 (0.003)    |
| Oil system capacity incl filters, liter ..... | 29              |                 |

|                                   |                 |                 |
|-----------------------------------|-----------------|-----------------|
| <b>Fuel system</b>                | <b>1500 rpm</b> | <b>1800 rpm</b> |
| Specific fuel consumption at:     |                 |                 |
| Prime Power, g/kWh (lb/hph)       |                 |                 |
| 25 %                              | 244 (0.396)     | 257 (0.417)     |
| 50 %                              | 233 (0.378)     | 237 (0.384)     |
| 75 %                              | 217 (0.352)     | 222 (0.360)     |
| 100 %                             | 204 (0.331)     | 205 (0.332)     |
| Max Standby Power, g/kWh (lb/hph) |                 |                 |
| 25 %                              | 247 (0.400)     | 259 (0.420)     |
| 50 %                              | 235 (0.381)     | 239 (0.387)     |
| 75 %                              | 217 (0.352)     | 225 (0.365)     |
| 100 %                             | 205 (0.332)     | 207 (0.336)     |

|  |                 |                 |
|--|-----------------|-----------------|
| <b>Intake and exhaust system</b>                         | <b>1500 rpm</b> | <b>1800 rpm</b> |
| Air consumption at 27°C, m <sup>3</sup> /min (cfm):      |                 |                 |
| Prime Power  | 16.1 (569)      | 18.3 (646)      |
| Max Standby Power  | 16.3 (576)      | 18.9 (667)      |
| Max allowable air intake restriction, kPa (In wc)        | 3.0 (12.0)      | 3.0 (12.0)      |
| Heat rejection to exhaust, kW (BTU/min) at:              |                 |                 |
| Prime Power  | 160 (9099)      | 174 (9895)      |
| Max Standby Power  | 177 (10066)     | 189 (10748)     |
| Exhaust gas temperature after turbine, °C (°F) at:       |                 |                 |
| Prime Power  | 495 (923)       | 475 (887)       |
| Max Standby Power  | 550 (1022)      | 510 (950)       |
| Max allowable back-pressure in exhaust line, kPa (In wc) | 10 (40.2)       | 10 (40.2)       |
| Exhaust gas flow, m <sup>3</sup> /min (cfm) at:          |                 |                 |
| Prime power  | 33.0 (1165)     | 36.7 (1296)     |
| Max Standby Power  | 33.4 (1180)     | 37.9 (1338)     |

|  |                 |                 |
|--|-----------------|-----------------|
| <b>Cooling system</b>                              | <b>1500 rpm</b> | <b>1800 rpm</b> |
| Heat rejection radiation from engine, kW (BTU/min) |                 |                 |
| Prime Power  | 24 (1365)       | 25 (1422)       |
| Max Standby Power                                  | 26 (1479)       | 28 (1592)       |
| Heat rejection to coolant kW (BTU/min)             |                 |                 |
| Prime Power  | 111 (6312)      | 118 (6711)      |
| Max Standby Power                                  | 122 (6955)      | 130 (7393)      |
| Fan power consumption, kW (hp)                     | 9.2 (13)        | 15.8 (21)       |

## Standard equipment

### Engine

Automatic belt tensioner

Lift eyelets

### Flywheel

Flywheel housing with conn. acc. to SAE 2

Flywheel 10" and 11.5" disc

Vibration damper

### Engine suspension

Fixed integrated radiator front engine suspension

### Lubrication system

Oil dipstick

Full-flow oil filter of cartridge type

Oil cooler, side mounted

### Fuel system

Common rail

Fuel filters of cartridge type

Pre-filter with water separator

### Intake and exhaust system

Two-stage air filter with cyclon

Connecting flange for exhaust pipe

Turbo charger, low left side

### Cooling system

Tropical radiator incl intercooler

Belt driven coolant pump

Fan hub

Pusher fan

Fan guard

Belt guard

### Control system

Engine Management System (EMS) with CAN-bus

interface SAE J1939 and stand alone interface

### Alternator

Alternator 80A / 24 V

### Starting system

Starter motor, 5.0kW, 24 V

Connection facility for extra starter motor

### Instruments and senders

Temp.- and oil pressure for automatic

stop/alarm

### Engine Packing

Plastic wrapping

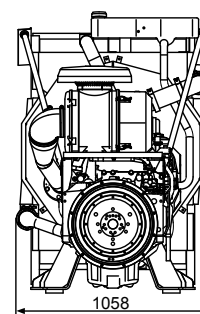
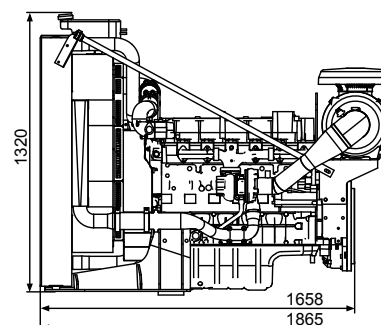
<sup>1)</sup> must be ordered, see order specification

- optional equipment or not applicable

• included in standard specification

## Dimensions TAD734GE

Not for installation



Note! Not all models, standard equipment and accessories are available in all countries.

All specifications are subject to change without notice.

The engine illustrated may not be entirely identical to production standard engines.

### Power Standards

The engine performance corresponds to ISO 3046, BS 5514 and DIN 6271. The technical data applies to an engine without cooling fan and operating on a fuel with calorific value of 42.7 MJ/kg (18360 BTU/lb) and a density of 0.84 kg/liter (7.01 lb/US gal), also where this involves a deviation from the standards. Power output guaranteed within 0 to +2% at rated ambient conditions at delivery. Ratings are based on ISO 8528.

Engine speed governing in accordance with ISO 3046/IV, class A1 and ISO 8528-5 class G3

### Exhaust emissions

The engine complies with Tier 2 and TA-luft exhaust emission regulations.

### Rating Guidelines

PRIME POWER rating corresponds to ISO Standard Power for continuous operation. It is applicable for supplying electrical power at variable load for an unlimited number of hours instead of commercially purchased power. A10 % overload capability for governing purpose is available for this rating.

MAXIMUM STANDBY POWER rating corresponds to ISO Standard Fuel Stop Power. It is applicable for supplying standby electrical power at variable load in areas with well established electrical networks in the event of normal utility power failure. No overload capability is available for this rating. 1 hp = 1 kW x 1.36

### Information

For more technical data and information, please look in the Generating Set Engines Sales Guide.

# VOLVO PENTA

**AB Volvo Penta**

SE-405 08 Göteborg, Sweden  
www.volvopenta.com